

# ISOLATION VALVES

## Swing Check Valves - SIMPLEX WTF™ Series

SECTION



### Prevention of Backflow

Hydrosel Canada's SIMPLEX WTF™ Series Swing Check Valves have been re-engineered completely to improve upon earlier models of swing check valves. These valves may be used in both horizontal and vertical installations with a great degree of reliability.

### Advanced Features

In re-engineering these valves from the ground up we sought to include several features that will aid in the installation and maintenance in the field. Built in seals work together with our revolutionary WTF™ Series flange patterns to create a unique one-approach solution to all your tubing system requirements. We've also included twin discharge ports for emergency drainage of the housing.

### Features

- Rated at 200 PSI
- Full Port Design
- WTF™ Series Flange Bolt Pattern
- Minimum 3 PSI Backflow
- Suitable for Vertical and Horizontal Installations
- Twin Discharge Emergency Ports
- Vibration Dampeners.
- Suitable for ASTM, DIN, JIS and CNS systems
- NSF Compliant

### Cost-effective Simplicity

These valves are configured with universal WTF™ Series pattern flanged ends to ensure mating with all tubing standards with minimal cost. A sturdy housing and robust clapper will offer years of trouble free operation without routine need for maintenance.

### Corrosion-free

Because of their all-plastic construction, these valves will never jam or stick as a result of rust or corrosion. Also they will not contaminate sensitive fluids that come into contact with them. The stem is made from reinforced thermoplastic designed with a multi-segmented approach and technology.

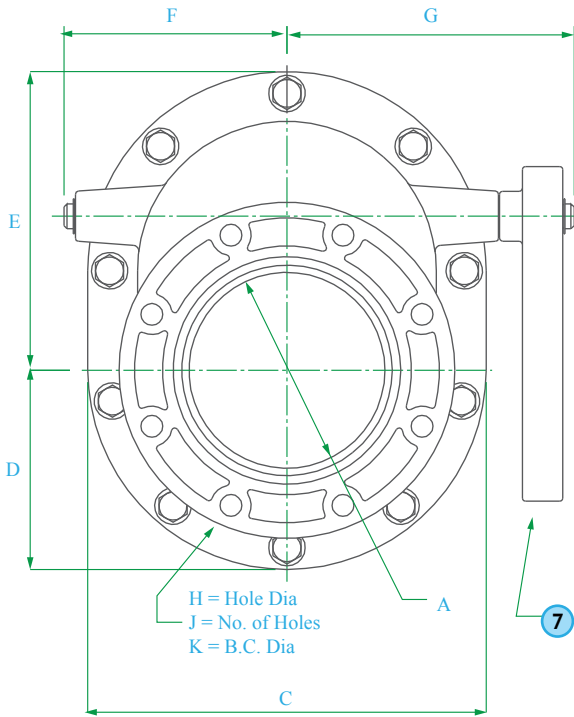
### Options

- Counterweight for Closing Assistance
- Flanged Connectors
- PVC, CPVC, PP and PVDF
- EPDM, Viton or Nitrile O-Rings

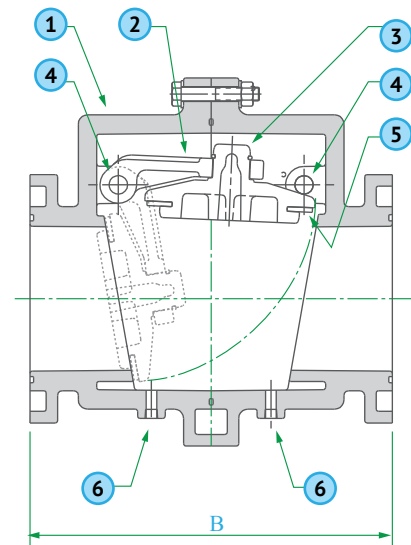
**SIZE: 3" ~ 8"**

**JOINT END:**  
FLANGE - WTF™ Series

**WORKING PRESSURE:**  
200 PSI



CONSTRUCTION			
NO	PARTS	PCS	MATERIALS
1	HOUSING	1	PVC, CPVC, PP, PVDF
2	SWING ARM	1	PVC, CPVC, PP, PVDF
3	CLAPPER	1	PVC, CPVC, PP, PVDF
4	SHAFT	1	PVC, CPVC, SS316
5	SEAL	1	EPDM, VITON
6	DISCHARGE PORT	2	PVC, CPVC
7	COUNTER WEIGHT [OPTIONAL]	1	PVC, CPVC, PP, PVDF



PART	NOMINAL SIZE	FLANGED - WTF™ Series			UNIT OF MEASURE: MM							
		DN	A	B	C	D	E	F	G	H	J	K
SIEF.0300	3"	DN 80	76.0	260.0	191.0	95.0	132.0	99.0	125.0	19.0	8.0	23.5
SIEF.0400	4"	DN 100	99.0	300.0	235.0	118.0	171.0	122.0	156.0	19.0	8.0	24.5
SIEF.0600	6"	DN 150	150.0	400.0	324.0	162.0	235.0	164.0	211.0	24.0	8.0	24.0
SIEF.0800	8"	DN 200	200.0	500.0	406.0	203.0	305.0	228.0	293.0	23.0	8.0	27.0

SELECTION CHART				
SIZE	MATERIAL	CONNECTION	SEALS	PRESSURE RATING
3" ~ 8"	PVC CPVC PP	WTF™ Series FLANGED	EPDM or VITON	200 PSI @ 73F Non-Shock

CV FACTORS			
SIZE	FACTOR	SIZE	FACTOR
3"	480	6"	800
4"	600	8"	1000

**Pressure Loss Calculation Formula**

$$\Delta P = \left[ \frac{Q}{C_v} \right]^2$$

$\Delta P$  = Pressure Drop  
 $Q$  = Flow in GPM  
 $C_v$  = Flow Coefficient

