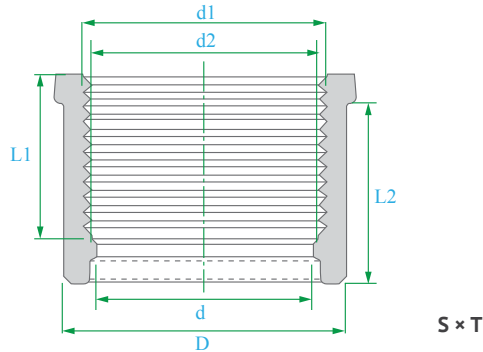


## Female Reducing Bushes



PART	NOMINAL SIZE	REDUCER - S × T	UNIT OF MEASURE: MM						APPROX. WT.
			D	d	d1	d2	L1	L2	
0307.FRB.005002	1/2 > 3/8"		21.34	17.00	-	-	14.00	-	0.01
0307.FRB.005003	1/2 > 1/4"		21.34	13.00	-	-	14.00	-	0.01
0307.FRB.007502	3/4 > 1/4"		26.67	13.00	-	-	17.00	-	0.02
0307.FRB.007504	3/4 > 1/2"		26.67	19.00	21.54	21.23	22.50	25.50	0.02
0307.FRB.010004	1 > 1/2"		33.40	19.00	21.54	21.23	22.50	29.00	0.03
0307.FRB.010005	1 > 3/4"		33.40	24.00	26.87	26.57	25.50	29.00	0.02
0307.FRB.012504	1 1/4 > 1/2"		42.16	19.00	21.54	21.23	22.50	32.00	0.05
0307.FRB.012505	1 1/4 > 3/4"		42.16	24.00	26.87	26.57	25.50	32.00	0.05
0307.FRB.012506	1 1/4 > 1"		42.16	31.00	33.65	33.27	29.00	32.00	0.03
0307.FRB.015004	1 1/2 > 1/2"		48.26	19.00	21.54	21.23	22.50	35.00	0.04
0307.FRB.015005	1 1/2 > 3/4"		48.26	24.00	26.87	26.57	25.50	35.00	0.06
0307.FRB.015006	1 1/2 > 1"		48.26	31.00	33.65	33.27	29.00	35.00	0.06
0307.FRB.015007	1 1/2 > 1 1/4"		48.26	40.00	42.42	42.04	32.00	35.00	0.04
0307.FRB.020004	2 > 1/2"		60.33	19.00	21.54	21.23	22.50	38.50	0.10
0307.FRB.020005	2 > 3/4"		60.33	24.00	26.87	26.57	25.50	38.50	0.09
0307.FRB.020006	2 > 1"		60.33	31.00	33.65	33.27	29.00	38.50	0.09
0307.FRB.020007	2 > 1 1/4"		60.33	40.00	42.42	42.04	32.00	38.50	0.09
0307.FRB.020008	2 > 1 1/2"		60.33	46.00	48.56	48.11	35.00	38.50	0.07
0307.FRB.030009	3 > 2"		88.90	58.00	60.63	60.17	38.50	48.00	0.25
0307.FRB.040009	4 > 2"		114.30	58.00	60.63	60.17	38.50	58.00	0.42
0307.FRB.040011	4 > 3"		114.30	86.00	89.31	88.70	48.00	58.00	0.42

**Notes:** Physical dimensions and tolerances meet the requirements of ASTM Standard D-2467. PVC material meets ASTM Standard D-1784. Dimensions are subject to change without notice. Contact your HYDROSEAL representative for certification.