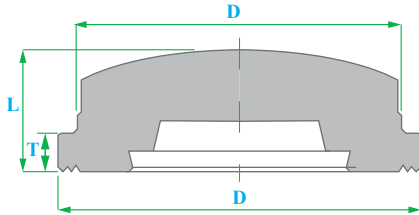
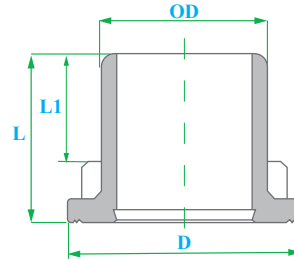


WTF™ Series Flange Connectors - Blind



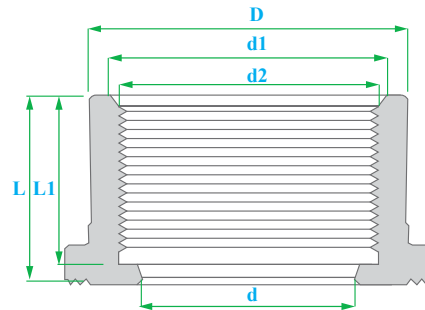
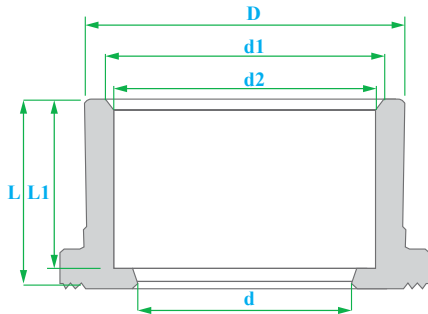
WTF™ Series Flange Connectors - Spigot



PART	NOMINAL SIZE	TYPE BLIND	UNIT OF MEASURE: MM				APPROX. WT.
			D	D1	L	T	
0707.WTB.0050	1/2"		35.00	29.00	16.00	5.50	0.02
0707.WTB.0075	3/4"		41.50	35.00	18.00	6.00	0.03
0707.WTB.0100	1"		50.00	43.00	21.00	7.00	0.04
0707.WTB.0125	1 1/4"	-	-	-	-	-	-
0707.WTB.0150	1 1/2"		71.50	60.00	25.00	8.00	0.09
0707.WTB.0200	2"		85.00	74.00	27.00	8.00	0.14
0707.WTB.0250	2 1/2"		99.00	91.00	34.00	11.00	0.17
0707.WTB.0300	3"		118.00	108.00	38.00	14.00	0.32
0707.WTB.0400	4"		150.00	134.00	40.00	15.00	0.47
0707.WTB.0600	6"		204.00	194.00	52.00	16.00	1.00
0707.WTB.0800	8"	-	-	-	-	-	-

PART	NOMINAL SIZE	TYPE SPIGOT	UNIT OF MEASURE: MM				APPROX. WT.
			D	D1	L	L1	
0707.WTX.0050	1/2"		21.34	36.00	37.00	22.50	0.02
0707.WTX.0075	3/4"		26.67	41.50	41.00	25.50	0.03
0707.WTX.0100	1"		33.40	50.00	46.50	29.00	0.04
0707.WTX.0125	1 1/4"	-	-	-	-	-	-
0707.WTX.0150	1 1/2"		48.26	71.00	55.50	35.00	0.08
0707.WTX.0200	2"		60.32	85.00	61.00	38.50	0.12
0707.WTX.0250	2 1/2"		73.02	99.00	70.00	44.50	0.20
0707.WTX.0300	3"		88.90	118.00	75.00	48.00	0.30
0707.WTX.0400	4"		114.30	150.00	87.50	57.50	0.52
0707.WTX.0600	6"	-	-	-	-	-	-
0707.WTX.0800	8"	-	-	-	-	-	-

WTF™ Series Flange Connectors - Socket



PART	NOMINAL SIZE	TYPE - SOCKET	UNIT OF MEASURE: MM					APPROX. WT.	
			D	d	d1	d2	L1		L
0707.WTS.0050	1/2"		29.00	15.00	21.54	21.23	22.50	26.00	0.02
0707.WTS.0075	3/4"		35.00	20.00	26.87	26.57	25.50	29.50	0.03
0707.WTS.0100	1"		43.00	25.00	33.66	33.27	29.00	33.00	0.04
0707.WTS.0125	1 1/4"	-	-	-	-	-	-	-	-
0707.WTS.0150	1 1/2"		60.00	40.00	48.56	48.11	35.00	40.00	0.09
0707.WTS.0200	2"		75.00	50.00	60.63	60.17	38.50	42.50	0.14
0707.WTS.0250	2 1/2"		91.00	65.00	73.38	72.85	44.50	51.00	0.17
0707.WTS.0300	3"		108.00	75.00	89.31	88.70	48.00	54.00	0.32
0707.WTS.0400	4"		134.00	100.00	114.76	114.07	57.50	66.00	0.47
0707.WTS.0600	6"		194.00	150.00	168.83	168.00	76.50	85.00	1.00
0707.WTS.0800	8"	-	-	-	-	-	-	-	-

Notes: Physical dimensions and tolerances meet the requirements of ASTM Standard D-2467. PVC material meets ASTM Standard D-1784. Dimensions are subject to change without notice. Contact your HYDROSEAL representative for certification.