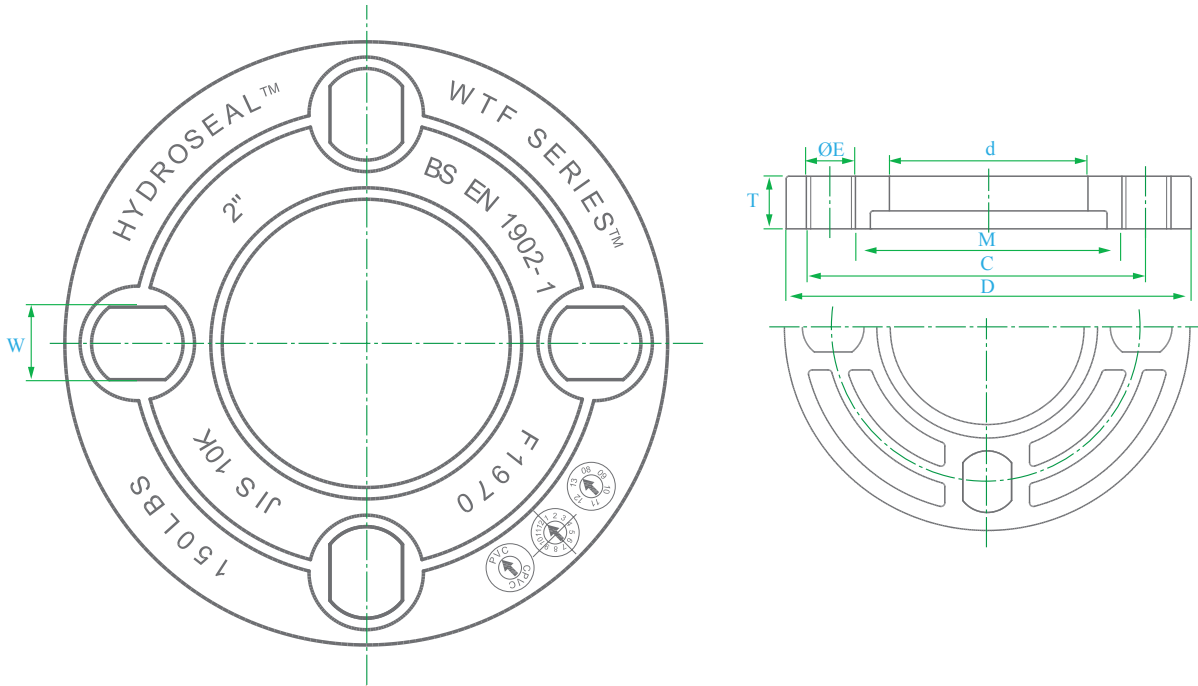


### WTF™ Series Universal Van Stone Backing Rings



PART	NOMINAL SIZE	FLANGE RING	UNIT OF MEASURE: MM						
			D	d	M	W	C	T	OE-N
0707.WTF.0050	1/2"	95.00	31.50	37.00	16.00	64.76	12.50	20.2-4	0.09
0707.WTF.0075	3/4"	100.00	36.50	42.50	16.00	71.80	13.50	18.0-4	0.11
0707.WTF.0100	1"	118.00	44.50	51.00	17.00	85.20	15.50	21.8-4	0.17
0707.WTF.0125	1 1/4"	128.00	53.00	61.50	17.00	95.00	17.50	22.0-4	0.22
0707.WTF.0150	1 1/2"	140.00	62.00	71.50	17.00	105.00	18.50	22.0-4	0.29
0707.WTF.0200	2"	158.00	75.50	86.00	19.00	120.00	20.50	24.0-4	0.40
0707.WTF.0250	2 1/2"	180.00	92.00	100.00	19.00	137.00	23.50	21.0-4	0.58
0707.WTF.0300	3"	192.00	109.00	119.00	19.00	153.10	25.00	23.5-8	0.75
0707.WTF.0400	4"	230.00	135.00	151.00	19.00	184.20	27.00	24.5-8	1.10
0707.WTF.0600	6"	280.00	195.00	206.00	24.00	240.00	31.00	24.0-8	1.80
0707.WTF.0800	8"	342.00	250.00	268.00	23.00	322.00	35.00	27.0-8 / 23.0-12	3.30
0707.WTF.1000	10"	-	-	-	-	-	-	-	-
0707.WTF.1200	12"	-	-	-	-	-	-	-	-

**Notes:** Flange bolt hole pattern meets ANSI B16.5, BS EN 1902-1 and JIS 10K. PVC material meets ASTM Standard D-1784. Dimensions are subject to change without notice. Contact your HYDROSEAL representative for certification.